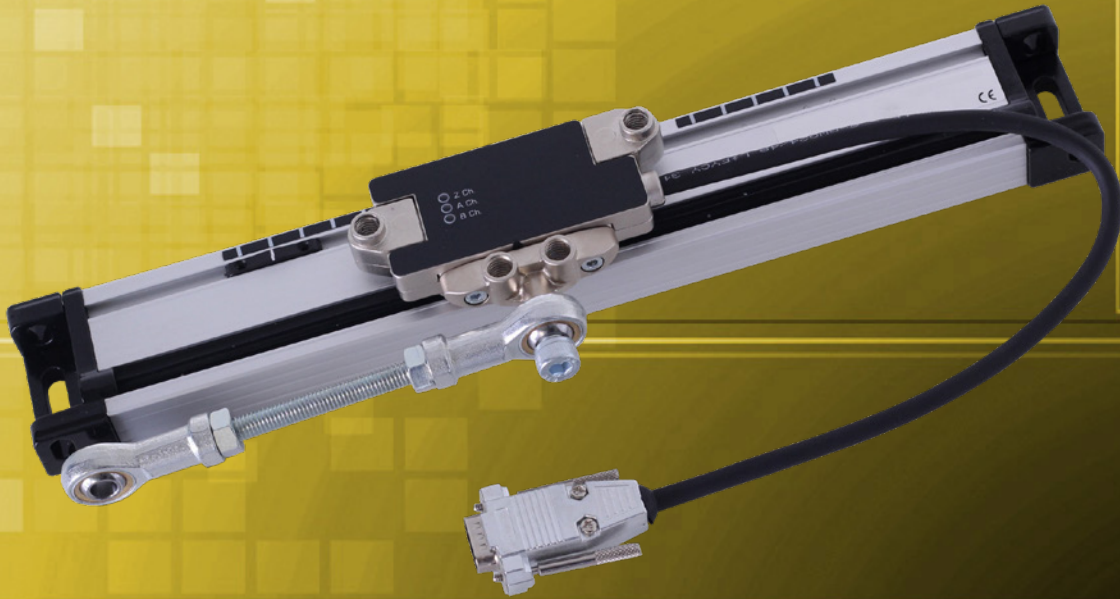


DIGITAL SCALE



Content:

Technical Data2
Technical Drawings2
Electrical connection3
Order code3

Series DMO

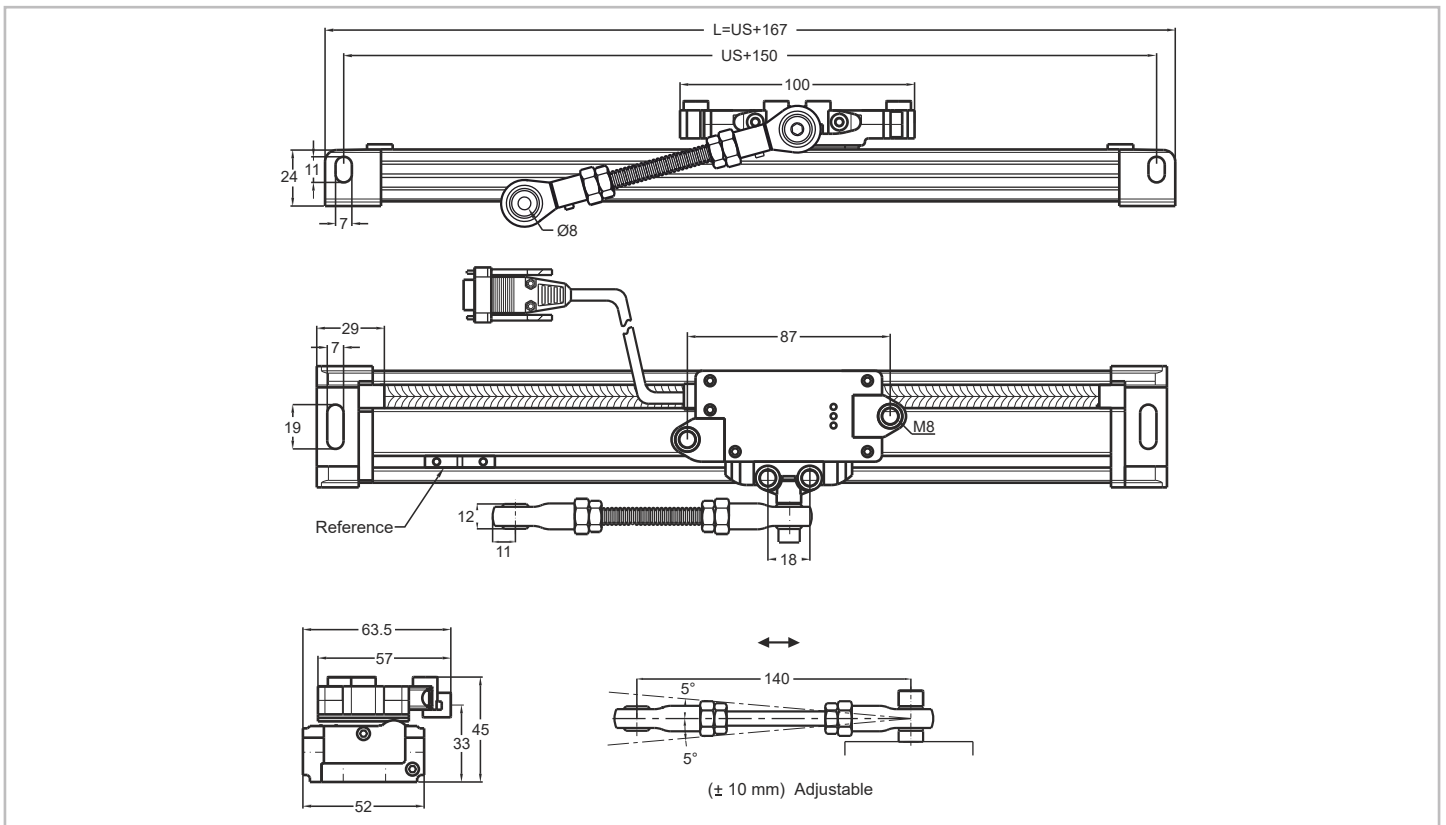
Key-Features:

- Measurement range up to 2000 mm
- Output: TTL Linedriver, HTL Push-Pull
- Resolution up to 5 μm
- IP65
- Accuracy: $\pm 30 \mu\text{m}$
- Fully symmetrical
- Adjustable reference
- Protective steel cover for measurement tape
- High precision bearings for smooth movement

TECHNICAL DATA

Measurement range	[mm]	150 / 170 / 220 / 270 / 320 / 370 / 420 / 470 / 520 / 570 / 620 / 670 / 720 / 820 / 870 / 920 / 1000 / 1100 / 1200 / 1300 / 1400 / 1500 / 1750 / 2000
Type of measurement		magnetic incremental non-contact
Resolution	[μm]	5, 50, 100
Repeatability	[μm]	± 5
Accuracy	[μm]	± 30
Pol pitch	[mm]	5
Output		TTL Linedriver or HTL Push-Pull
Power supply	[VDC]	5 (standard), 8...24 (optional)
Power consumption (without load)	[mA]	< 40 (24 VDC)
Electrical connection		DB9 connector with 1 m cable or cable with open wires
Max. speed	[m/s]	< 3
Housing material		anodized aluminium
Protection class		IP65
Operating temperature	[°C]	-20...+80
Storage temperature	[°C]	-30...+90

TECHNICAL DRAWING

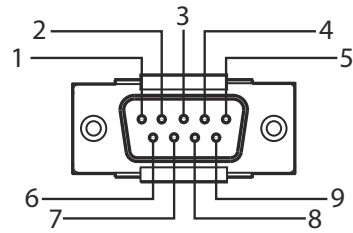


Measurement range	[mm]	150	170	220	270	320	370	420	470	520	570	620	670
Useable stroke US	[mm]	153	173	223	273	323	373	423	473	523	573	623	673
Mechanical stroke MS	[mm]	178.5	198.5	248.5	298.5	348.5	398.5	448.5	498.5	548.5	598.5	648.5	698.5
Total length L	[mm]	317	337	387	437	487	537	587	637	687	737	787	837

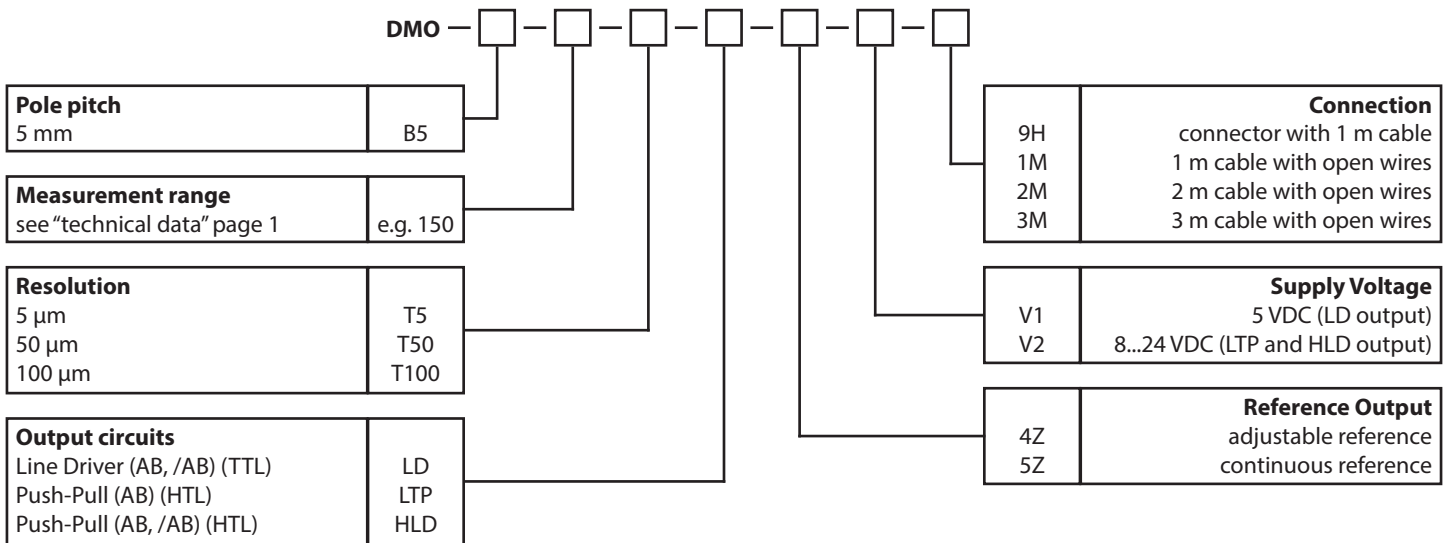
Measurement range	[mm]	720	820	870	920	1000	1100	1200	1300	1400	1500	1750	2000
Useable stroke US	[mm]	723	823	873	923	1003	1103	1203	1303	1403	1503	1753	2003
Mechanical stroke MS	[mm]	748.5	848.5	898.5	951.5	1028.5	1128.5	1228.5	1328.5	1428.5	1528.5	1778.5	2028.5
Total length L	[mm]	887	987	1037	1087	1167	1267	1367	1467	1567	1667	1917	2167

ELECTRICAL CONNECTION

Signals	Cable output	Connector output
V+	BN	PIN 9
0V	BU	PIN 5
A	BK	PIN 3
B	WH	PIN 2
Z	OG	PIN 1
/A	YE	PIN 8
/B	GN	PIN 7
/Z	RD	PIN 6
Shield	Shield	PIN 4 (n.c.)



ORDER CODE



Subject to change without prior notice.

WayCon Positionsmesstechnik GmbH
 email: info@waycon.de
 internet: www.waycon.biz



Positionsmesstechnik

Head Office
 Mehlsbeerstr. 4
 82024 Taufkirchen
 Tel. +49 (0)89 67 97 13-0
 Fax +49 (0)89 67 97 13-250

Office Köln
 Auf der Pehle 1
 50321 Brühl
 Tel. +49 (0)2232 56 79 44
 Fax +49 (0)2232 56 79 45